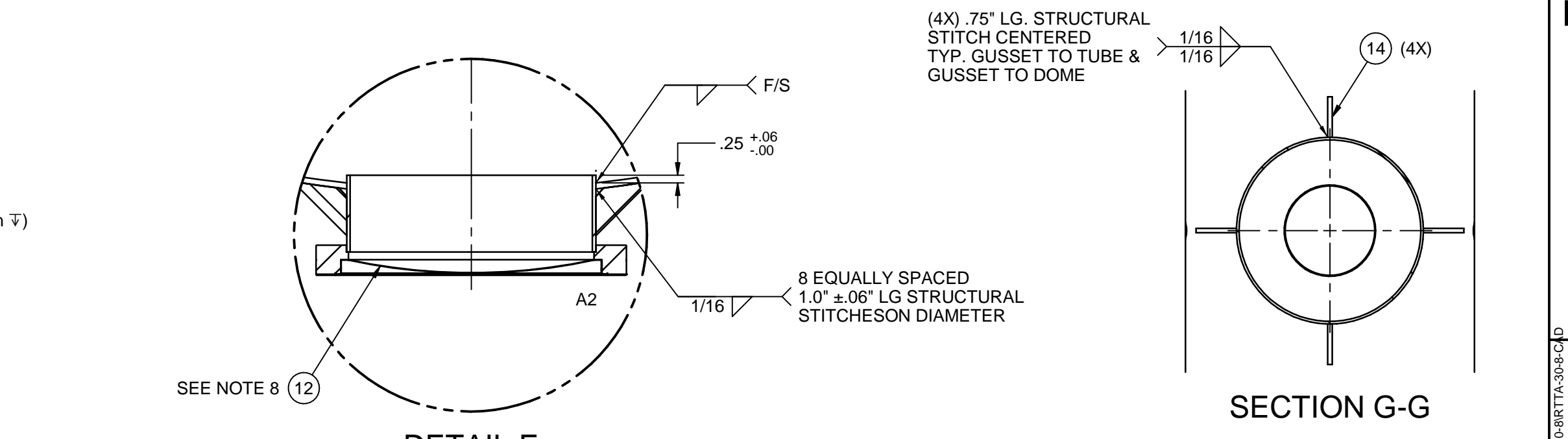
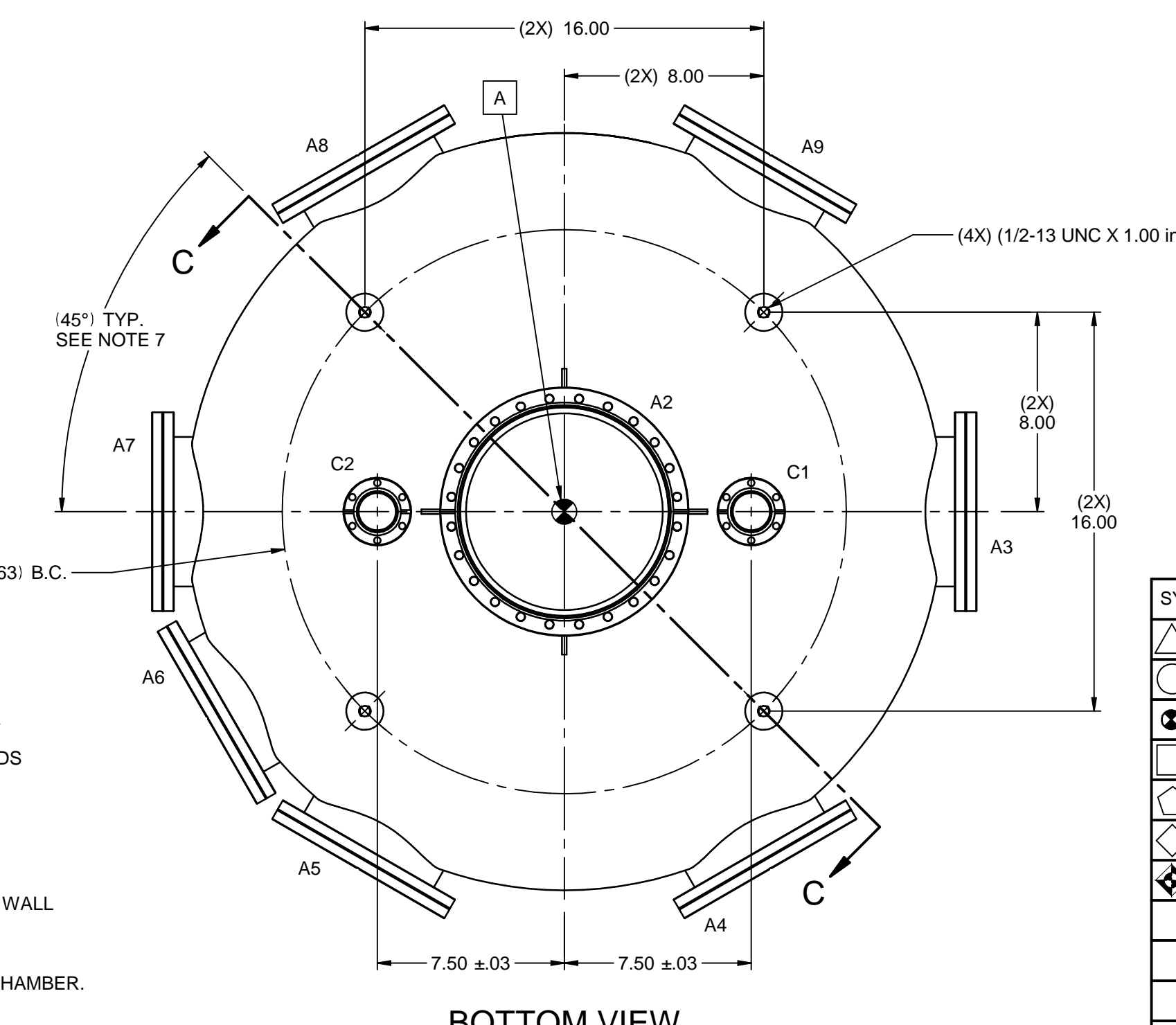
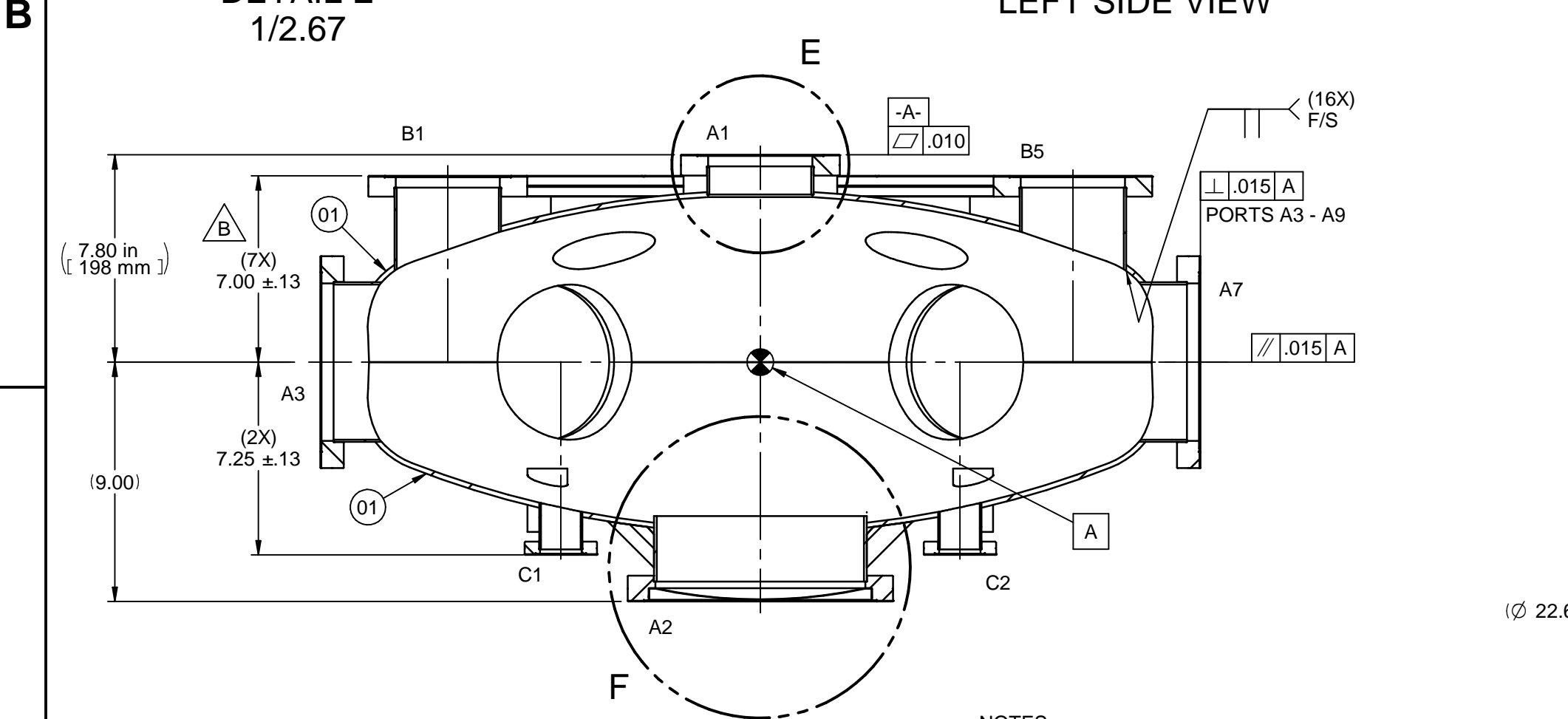
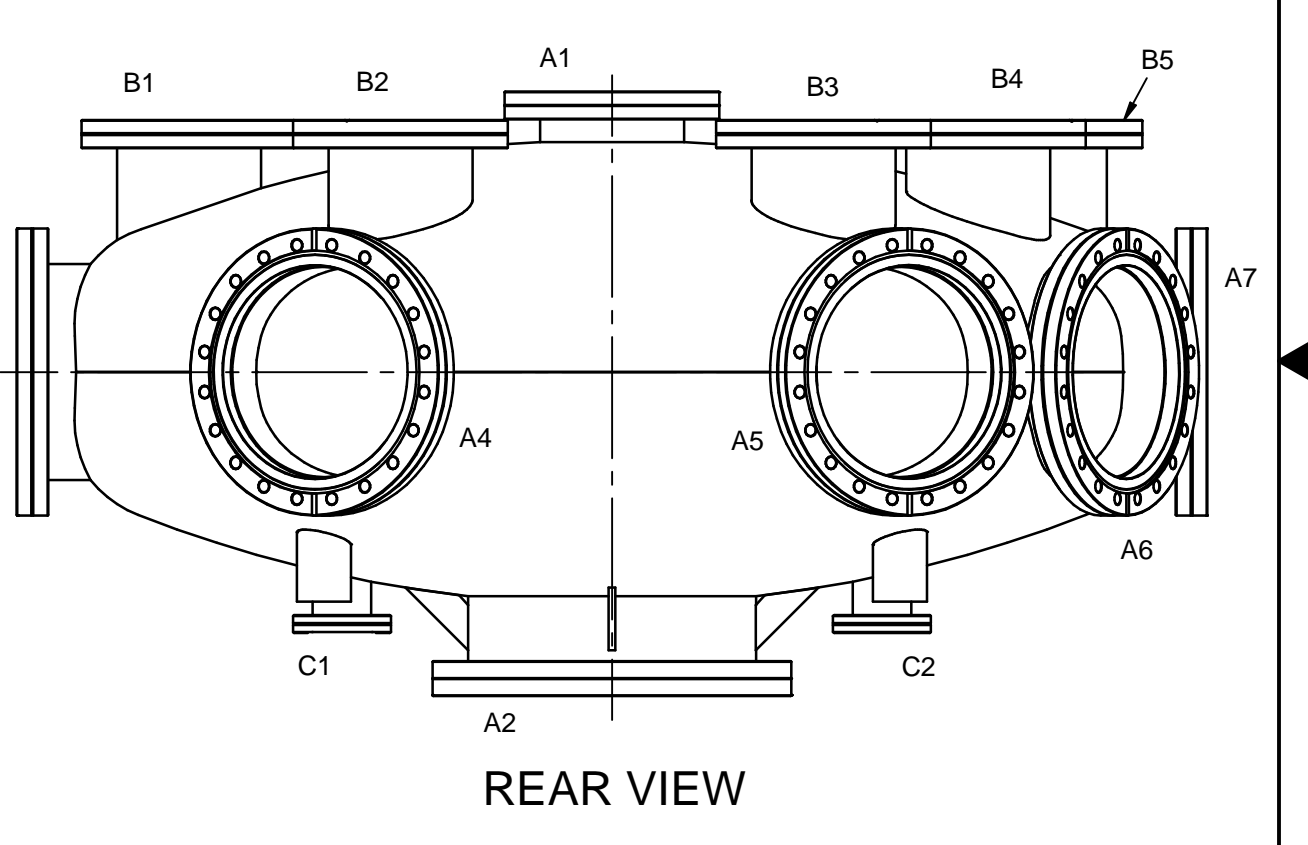
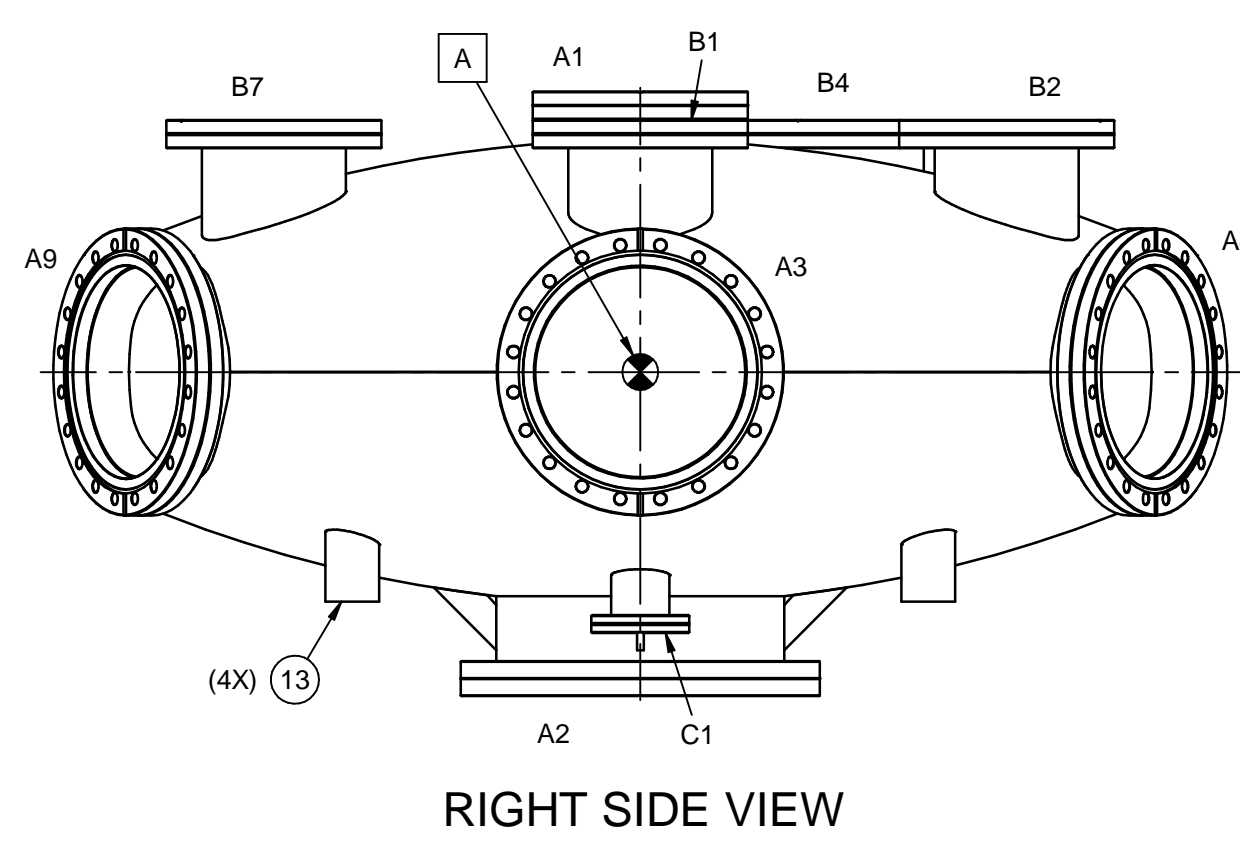
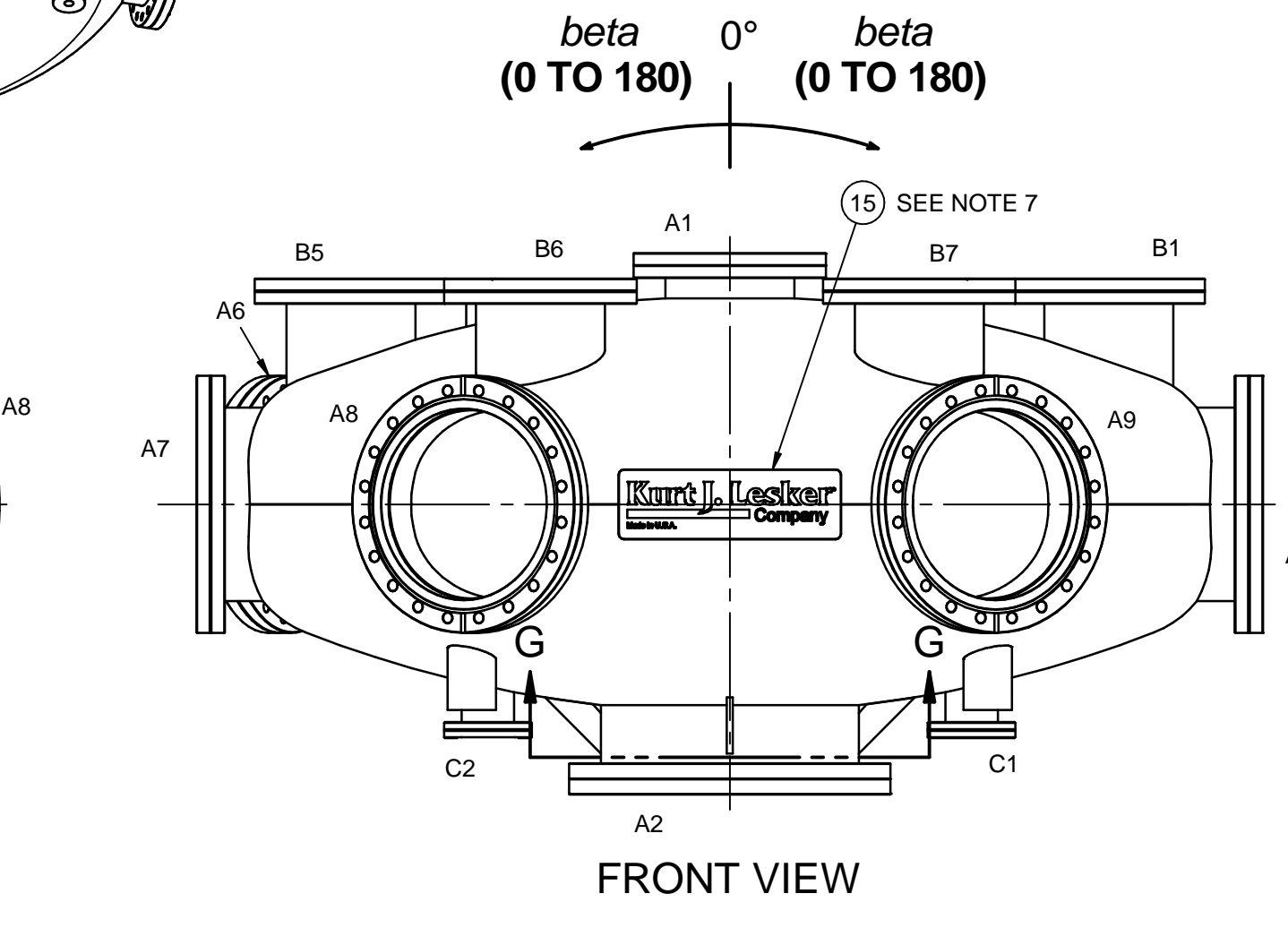
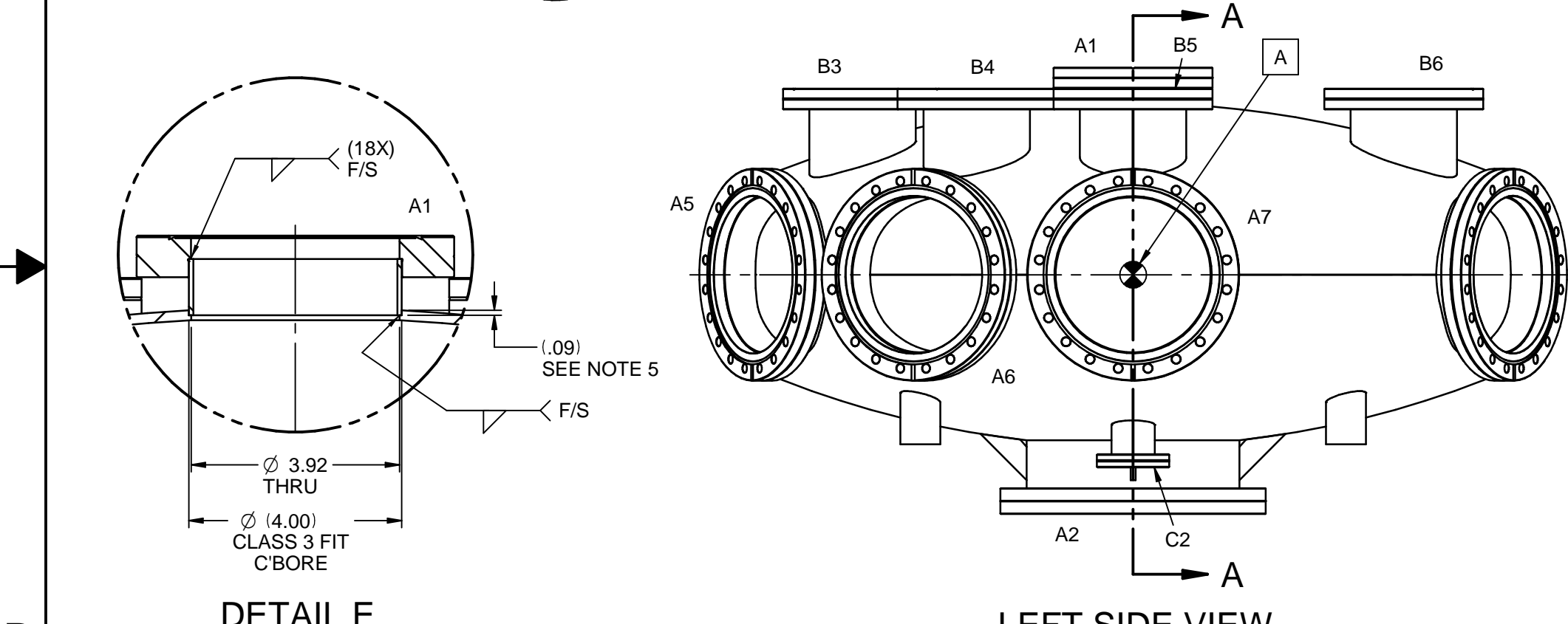
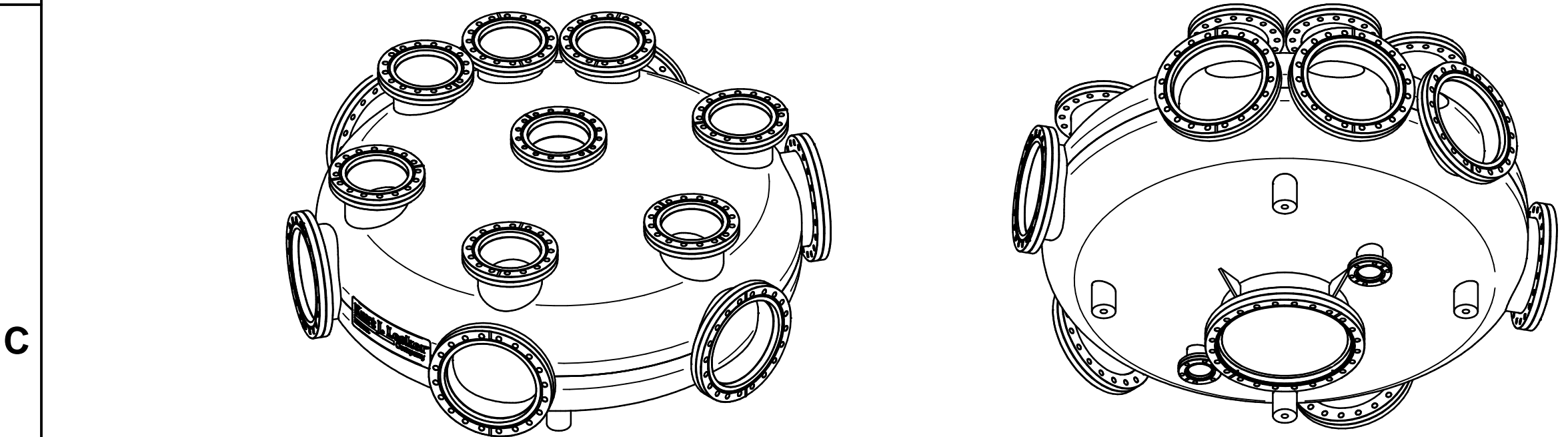
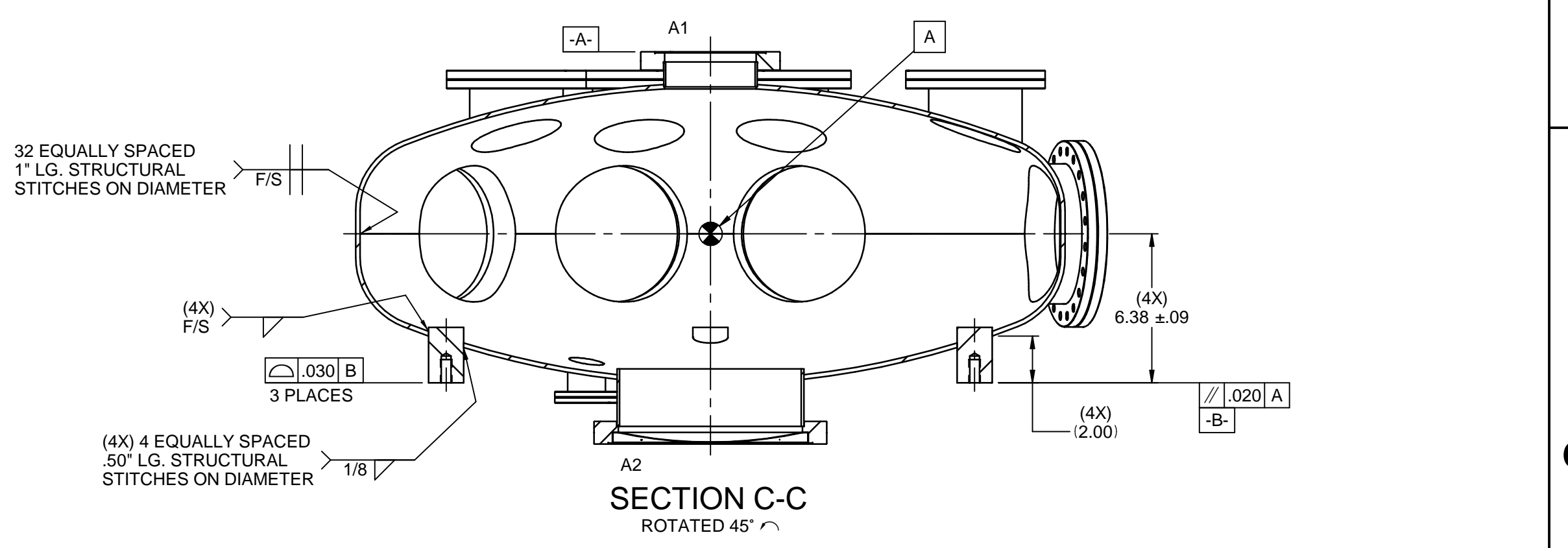
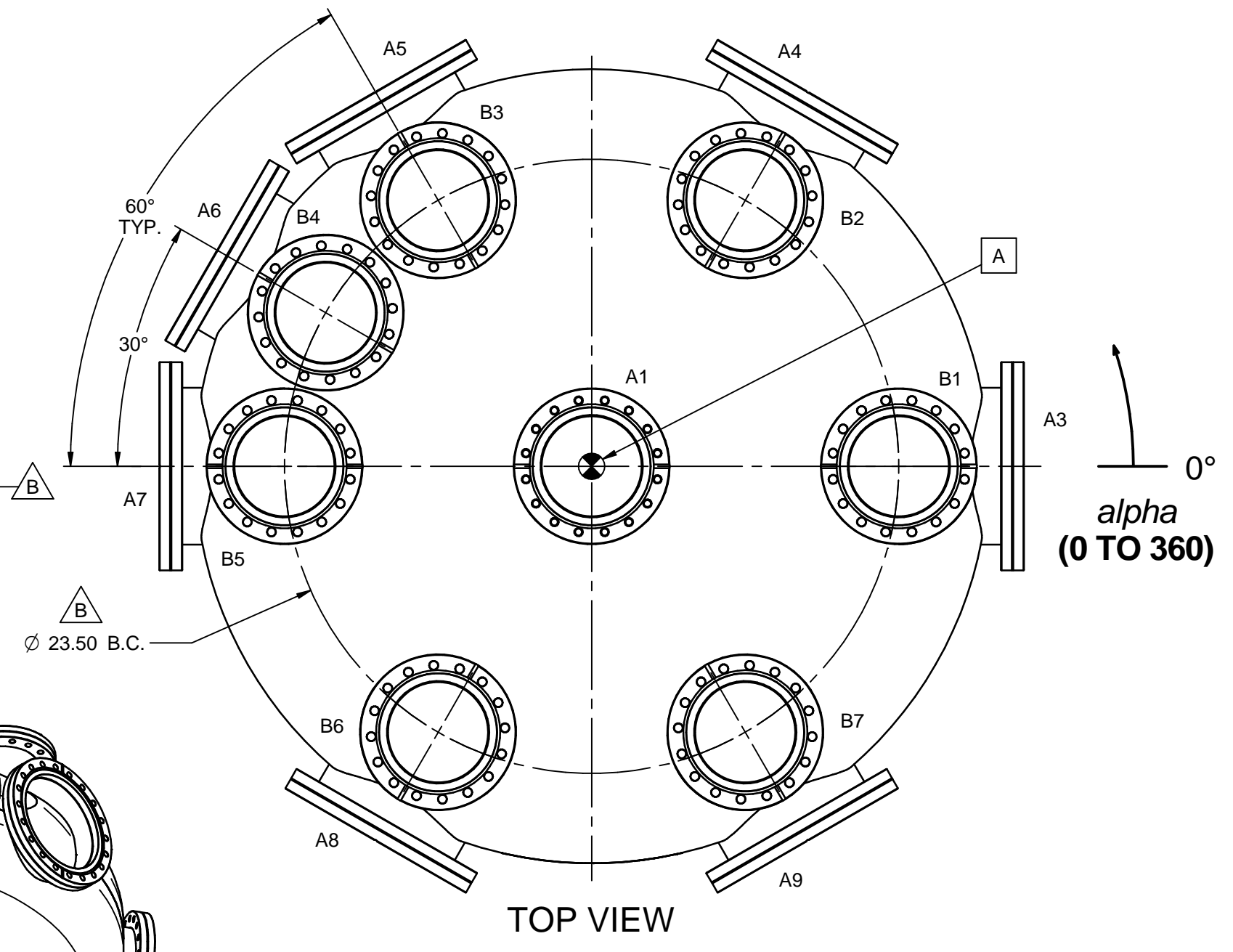


PORT IDENTIFICATION TABLE													
PORT	FLANGE/BOM	TUBE	TUBE CUT LENGTH	PORT LG LENGTH	PORT LG TOL +/-	FOCAL LENGTH	FOCAL LG TOL +/-	FOCAL PT DATUM	FOCAL PT TOL DIA	ALPHA α	BETA β	CUSTOMER REF	FUNCTION
A1	F0600X400NT	SST-0400I	1.06	-	-	7.80	0.06	A	1/8"	-	0	-	TRANSFER ARM MOUNTING
A2	ITEM 02	SST-0800PI	2.46	-	-	9.00	0.13	A	1/4"	-	180	-	PUMP
A3	F0800X600N	SST-0600PI	1.80	-	-	16.54	0.13	A	1/8"	0	90	-	TRANSFER PORT
A4	F0800X600N	SST-0600PI	1.80	-	-	16.54	0.13	A	1/8"	60	90	-	TRANSFER PORT
A5	F0800X600N	SST-0600PI	1.80	-	-	16.54	0.13	A	1/8"	120	90	-	TRANSFER PORT
A6	F0800X600N	SST-0600PI	1.80	-	-	16.54	0.13	A	1/8"	150	90	-	TRANSFER / ACCESS PORT
A7	F0800X600N	SST-0600PI	1.80	-	-	16.54	0.13	A	1/8"	180	90	-	TRANSFER PORT
A8	F0800X600N	SST-0600PI	1.80	-	-	16.54	0.13	A	1/8"	240	90	-	TRANSFER PORT
A9	F0800X600N	SST-0600PI	1.80	-	-	16.54	0.13	A	1/8"	300	90	-	TRANSFER PORT
B1	F0600X400N	SST-0400I	3.13	-	-	-	-	-	-	-	0	-	VIEWPORT
B2	F0600X400N	SST-0400I	3.13	-	-	-	-	-	-	-	0	-	VIEWPORT
B3	F0600X400N	SST-0400I	3.13	-	-	-	-	-	-	-	0	-	VIEWPORT
B4	F0600X400N	SST-0400I	3.13	-	-	-	-	-	-	-	0	-	VIEWPORT
B5	F0600X400N	SST-0400I	3.13	-	-	-	-	-	-	-	0	-	VIEWPORT
B6	F0600X400N	SST-0400I	3.13	-	-	-	-	-	-	-	0	-	VIEWPORT
B7	F0600X400N	SST-0400I	3.13	-	-	-	-	-	-	-	0	-	VIEWPORT
C1	F0275X162N	SST-0162I	1.75	-	-	-	-	-	-	-	180	-	SPARE / GAUGING
C2	F0275X162N	SST-0162I	1.75	-	-	-	-	-	-	-	180	-	SPARE / GAUGING

BILL OF MATERIALS					
NO.	PART NUMBER	DRAWING NUMBER	DESCRIPTION	QTY.	UM
01	RD05A07499		DOME, SS304L, 30.0" ID X .188" THK, 1" SF, 36" DR, 3" KR, 6-	2	EA
02	D-P0053711	P0053711	MODIFIED 10" CF, RTTA CHAMBER PUMPING PORT	1	EA
03	SST-0800PI		TUBING, 304L, 8" OD (+.005"-.010") X .109" WALL POLISHED ID	2.69	IN
04	F0800X600N	P0000271	FLANGE, UHV, SS, BORED, F.X.D, 8" OD, 8" C-BORE	7	EA
05	SST-0600PI		TUBING, SS304L, 6" OD X .083" WL, 32 RA POLISHED ID AND OD	14.18	IN
06	F0600X400NT	P0000237	FLANGE, UHV, SS, BORED, F.X.D, TAPPED 6" OD, 4" C-BORE	1	EA
07	SST-0400I		TUBING, SS304L, 4" OD, .083" WALL, ASTM A270 POLISHED OD	24.45	IN
08	F0600X400N	P0000235	FLANGE, UHV, SS, BORED, F.X.D, 6" OD, 4" C-BORE	7	EA
10	F0275X162N	P0000133	FLANGE, UHV, SS, BORED, F.X.D, 2.75" OD, 1.62" C-BORE	2	EA
11	SST-0162I		TUBING, SS304L, ASTM A249/269, 1-5/8" OD X 0.065" WALL	3.75	IN
12	LH-20091639		INLET SCREEN, DN200 ISO-K	1	EA
13	D-P0053712	P0053712	30" RTTA CHAMBER PUMPING PORT	4	EA
14	D-P0053713	P0053713	30" RTTA CHAMBER PUMPING PORT GUSSET	4	EA
15	CH-LOGO-US-LG-LX		LOGO, LEXAN, MADE IN USA, 2" X 7", FULL COLOR	1	EA
16	GA-0600I	P0001080	GASKET, COPPER, 6" FLANGE, 4.743" OD, 4.006" ID, 1/PKG	1	EA
17	HCUJ3124-200S4		SCREW, SOCKET SET, SS, 5/16-24 X 2" LG	16	EA
18	NHFU3124S4		HEX NUT, 5/16-24, 18/8 SS	16	EA
19	WPNU031S4		WASHER, FLAT, SS, 5/16" SAE	16	EA



NOTES:

- ALL DIMENSIONS ARE IN INCHES, REFER TO TABLE 1 FOR STANDARD TOLERANCING INFORMATION.
- ALL WELDS TO BE INTERNAL FULL FUSION VACUUM WELDS UNLESS OTHERWISE NOTED.
- VACUUM WELDS TO BE LEAK CHECKED WITH A HELIUM MASS SPECTROMETER WITH A SENSITIVITY TO 2×10^{-10} STD CC/SEC FOR HELIUM.
- DIMENSIONS FOR ALL PARTS LISTED IN THE BILL OF MATERIALS ARE NOMINAL.
- DEPTH OF COUNTERBORE IS TO BE EQUAL TO HALF THE WALL THICKNESS OF ITEM 01 IN THAT AREA.
- ORIENT ALL FLANGES AS SHOWN.
- ATTACH LOGO IN APPROXIMATE LOCATION.
- ITEMS 16 - 19 (NOT SHOWN) USED TO ATTACH RTTA TO CHAMBER. BAG, TAG, AND SHIP ITEMS 12 & 16 - 19 SEPARATE.

TUBE CUT TABLE			
TUBE P/N	LENGTH	QTY	CUT ALLOWANCE REQUIRED
SST-0162I	1.75	2	
SST-0400I	1.06	1	
SST-0600PI	3.13	7	
SST-0800PI	2.46	1	

SYMBOL LEGEND		DETAIL LEVEL: MSW-DCP-116, LEVEL 3		CLEANING PROCEDURE: MSW-DCP-101, LEVEL II	
REVISION	UNLESS OTHERWISE SPECIFIED MACHINING FINISHES SHALL BE:	UNLESS OTHERWISE SPECIFIED REFER TO DOCUMENT STM-1201, K/J/C STANDARD TOLERANCES AND MANUFACTURING PRACTICES	UNLESS OTHERWISE SPECIFIED ALL OTHER SURFACE FINISHES SHALL BE:	UNLESS OTHERWISE SPECIFIED ALL OTHER SURFACE FINISHES SHALL BE:	
ITEM BALLOON	63 Ra		AS SUPPLIED		
FOCAL POINT DESIGNATOR		UNLESS OTHERWISE SPECIFIED REFER TO DOCUMENT STM-1201, K/J/C STANDARD TOLERANCES AND MANUFACTURING PRACTICES (UNLESS OTHERWISE NOTED)			
INSPECTION BALLOON		DIMENSIONS ARE IN INCHES			
WATER TRACE IDENTIFICATION		DIMENSIONS ARE IN MILLIMETERS			
CENTER OF GRAVITY IDENTIFICATION		ANGULAR			

NO.	ZONE	ECN #	REVISION DESCRIPTION	DATE	BY	CHK
B	ALL	20153	PORT B1-B7 FLANGES WERE F0450X250N; (7X) 7.00 +/- 0.13 WAS (7X) 6.75 +/- 0.13; Ø23.50 B.C. WAS Ø23.00 B.C.; QTY. FOR ITEM 07 WAS 1.25; ITEM 08 WAS F0450X250N; REMOVED ITEM 09; UPDATED TUBE CUT TABLE	2/7/2018	SHP	ENR
A	ALL	----	RELEASED FOR MANUFACTURING	1/15/2018	SHP	ENR

1925 Route 51
Jefferson Hills, PA
15025-3681
phone: 1-800-245-1656
web: www.lesker.com

Kurt J. Lesker Company
"...vacuum science is our business"

15/16 Burgess Road
Hastings, East Sussex, TN35 4NR
United Kingdom
phone: +44 01424 458100

NOTE: THIS DRAWING, AND ITS CONTENT, IS THE CONFIDENTIAL AND PROPRIETARY INFORMATION OF KURT J. LESKER COMPANY AND CAN NOT BE DISCLOSED OR USED EXCEPT WITH THE EXPRESS WRITTEN PERMISSION OF KURT J. LESKER COMPANY.

SCALE: 3/16 APPROVED BY: ENR CHECKED BY: ENR DRAWN BY: SHP
FOR REFERENCE ONLY DATE: 1/15/2018 DATE: 1/15/2018 DATE: 11/9/2016

TITLE: DISTRIBUTION CHAMBER FOR RTTA, 30" ID, (7) DN150CF DISTRIBUTION PORTS

SIZE: MATERIAL SPECIFICATION: D AS NOTED DRAWING NO.: A0053710 REV: B

K/J/C PART NUMBER: RTTA-30-8 APPROX WEIGHT: 172.8 lbs SHEET: 1 OF 1