

COBALT

Scroll Series

Vacuum Pumps



Kurt J. Lesker[®]
Company

VACUUM MART[™]
DIVISION

Industries

- Laboratories
- Mass spectrometry
- Accelerators
- Leak detection
- Semiconductor
- Coating
- Vacuum Drying

Features and Benefits

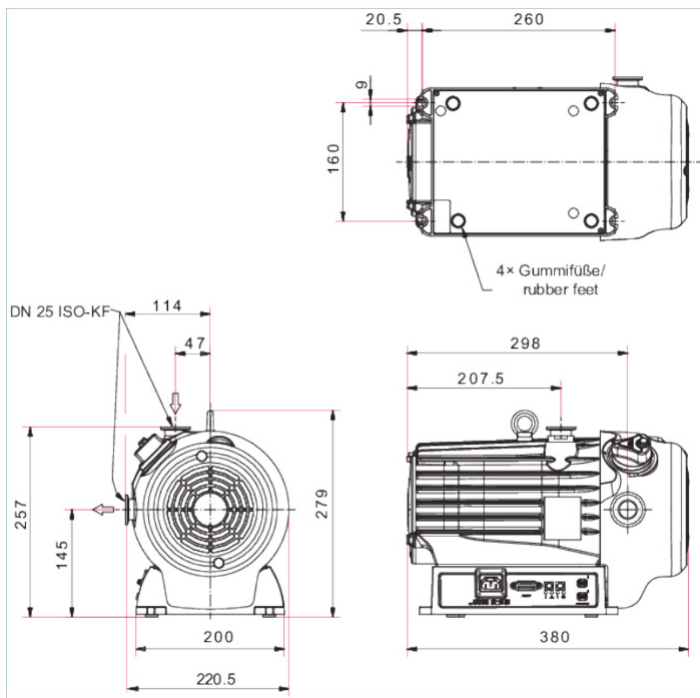
- Quiet, self-regulating air cooling system
- Extremely quiet at <47 dB (A) while in use or <42 dB (A) in standby mode
- Performance as required: Stable pumping speed and short cycle times
- Sustainable: 15% higher motor efficiency, resulting in less heat generation and lower cooling requirements
- Easy logistics: Cobalt pumps can be operated at any voltage
- Minimal maintenance costs due to easy service concept

Options

- Cobalt 6 - KJLC100
- Cobalt 12 - KJLC200
- Cobalt 18 - KJLC300

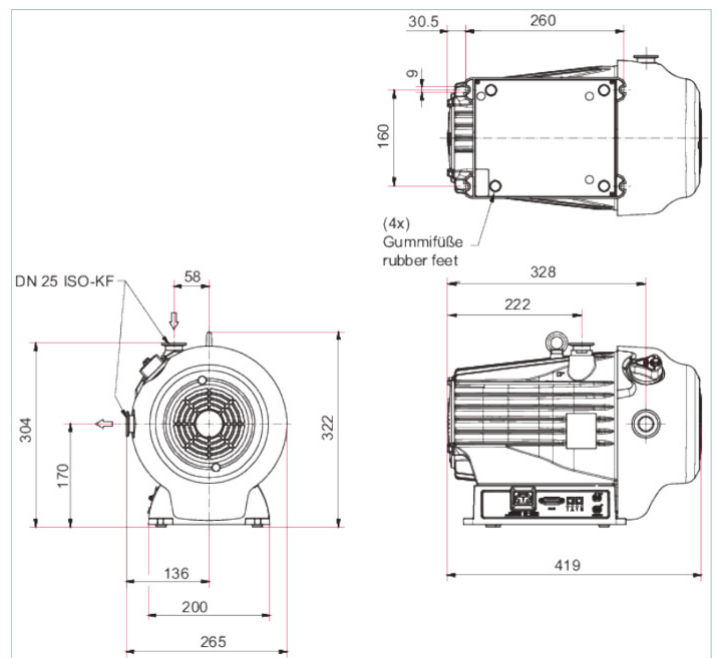
www.lesker.com

Dimensions



Cobalt 6

Dimensions



Cobalt 12, 18

Specifications

Features	Cobalt 6	Cobalt 12	Cobalt 18
Pumping Speed	6.1 m ³ /hr; 3.59 CFM	12.1 m ³ /hr; 7.12 CFM	18.1 m ³ /hr; 10.65 CFM
Ultimate Pressure w/o Gas Ballast	1.5e-3 Torr; 2.0e-2 mbar	6.75e-3 Torr; 9.0e-3 mbar	5.25e-3 Torr; 7.0e-3 mbar
Max Intake Pressure	825 Torr; 1100 mbar		
Max Exhaust Pressure	1125 Torr; 1500 mbar		
Inlet Flange	KF25		
Exhaust Flange	KF25		
I/O Interface	RS485		
Mains Connection	100—127 / 200 — 240 V AC (±10%), 50/60 Hz		
Rated Current Consumption	100 V - 127 V: 4 A; 200 V - 240 V: 2 A		
Noise	48.0 db(A)		
Weight lbs (kg)	41.9 (19)	52.91 (24)	50.71 (23)
Dimensions in (mm)	15 (380) x 8.70 (220) x 10.1 (257)	16.5 (419) x 10.4 (265) x 12.0 (304)	16.5 (419) x 10.4 (265) x 12 (304)
Cooling Method	Air, forced convection		
Ambient Temperature	5-40 C, 41-140 F, 278-313 K		
Storage Temperature	-10-50 C, 14-122 F, 263-323 K		

Kurt J. Lesker Company (KJLC®) specifications and/or test data may not be copied, reproduced or referenced without express written permission of KJLC.



www.lesker.com
 Enabling Technology for a Better World | www.lesker.com

Kurt J. Lesker Company
 United States - salesus@lesker.com
 +1 412 387 9200
 +1 800 245 1656

Kurt J. Lesker Canada Inc.
 Canada - salescan@lesker.com
 +1 416 588 2610
 +1 800 465 2476

Kurt J. Lesker Company Ltd.
 EMEA - EMEIAsales@lesker.com
 +44 (0) 1424 458100

Kurt.Lesker (Shanghai) Trading Company
 科特·莱思科(上海)商贸有限公司
 Asia - salesasia@lesker.com
 +86 21 50115900

