

KJLC-RV Series

Rotary Vane Vacuum Pumps



Kurt J. Lesker[®]
Company

VACUUM MART[™]
DIVISION

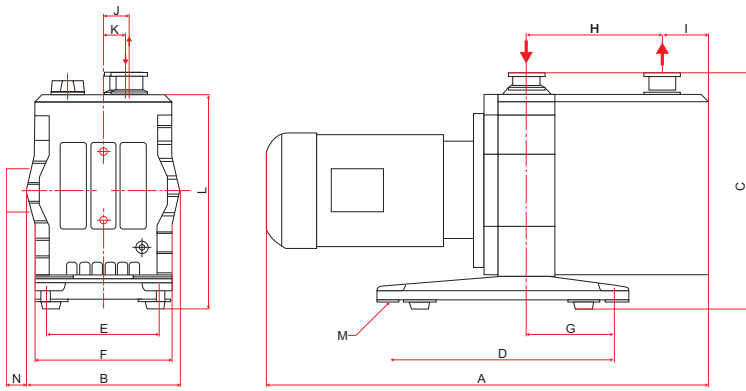
Features

- Exceptional ultimate pressure and pumping speed
- Anti-suckback mechanism prevents oil from backflowing in an event of accidental shutdown, power failure, etc.
- Quiet operation for laboratory applications
- Pressurized oil circuit assures constant lubrication regardless of the inlet pressure
- Gas ballast valve helps reduce the amount of condensable that form in the pump, extending its service life
- Modular internal design simplifies servicing the pump
- CE marked

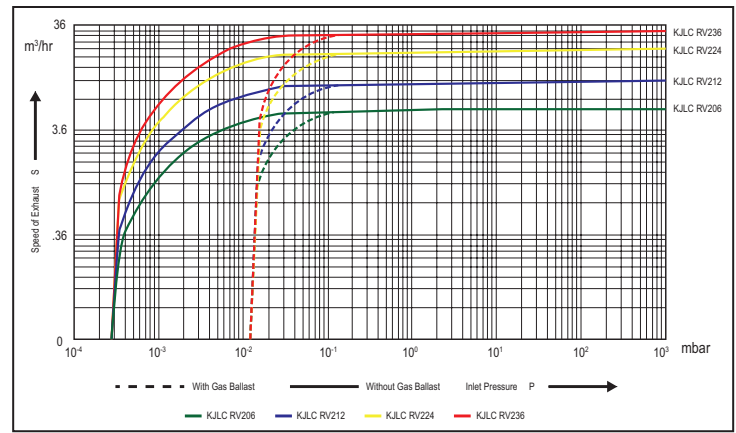
Applications

- Research and development
- Backing for boosters, diffusion and turbo pumps
- Freeze drying
- Vacuum coating
- Gas handling
- Vacuum drying / degassing
- HVAC servicing and manufacturing
- Leak detection

www.lesker.com



Dimensions Approximate



Pump Model	A	B	C	D	E	F	G	H	I	J	K	L	M	N
KJLC-RV206	470 (18.50)	165 (6.50)	252 (9.92)	240 (9.45)	120 (4.72)	146 (5.75)	94 (3.70)	120 (4.72)	50 (1.97)	24 (0.94)	28 (1.10)	229 (9.02)	∅9	53 (2.09)
KJLC-RV212	495 (19.50)	165 (6.50)	252 (9.92)	240 (9.45)	120 (4.72)	146 (5.75)	94 (3.70)	145 (5.71)	50 (1.97)	24 (0.94)	28 (1.10)	229 (9.02)	∅9	53 (2.09)
KJLC-RV224	535 (21.06)	205 (8.07)	288 (11.34)	310 (12.20)	140 (5.51)	180 (7.09)	147 (5.79)	156 (6.14)	75 (2.95)	40 (1.57)	34 (1.34)	262 (10.31)	∅12	48 (1.89)

mm (in)

Specifications

Features	Units	KJLC-RV206	KJLC-RV212	KJLC-RV224
Pumping Speed 50HZ	m ³ /hr	5.4	10.8	21.6
Pumping Speed 60HZ	(ft ³ /min)	3.8	7.6	15.3
Ultimate Pressure Torr (without gas ballast)	mbar torr	4 x 10 ⁻⁴ 3 x 10 ⁻⁴	4 x 10 ⁻⁴ 3 x 10 ⁻⁴	4 x 10 ⁻⁴ 3 x 10 ⁻⁴
Ultimate Partial Pressure (with gas ballast)	mbar torr	1.3 x 10 ⁻² 9.75 x 10 ⁻³	1.3 x 10 ⁻² 9.75 x 10 ⁻³	1.3 x 10 ⁻² 9.75 x 10 ⁻³
Water Vapor Tolerance	mbar torr	50 37.5	50 37.5	33 24.75
Oil Capacity	liters (qt)	1.3 (1.4)	1.1 (1.2)	1.4 (1.5)
Inlet/Exhaust Ports	dn	KF25	KF25	KF25
Motor Power (Single Phase)	kW (hp)	0.55 (0.74)	0.55 (0.74)	0.75 (1)
Rotational Speed	RPM 50hz (60hz)	1420 (1710)	1420 (1710)	1420 (1710)
Noise Level	db(A)	<68	<68	<68
Weight	kg (lbs)	27 (60)	29 (64)	37 (81)

Kurt J. Lesker Company (KJLC®) specifications and/or test data may not be copied, reproduced or referenced without express written permission of KJLC.

Kurt J. Lesker
Company

www.lesker.com

Kurt J. Lesker Company
United States
412.387.9200
800.245.1656
salesus@lesker.com

Kurt J. Lesker Canada Inc.
Canada
416.588.2610
800.465.2476
salescan@lesker.com

Kurt J. Lesker Company Ltd.
Europe
+44 (0) 1424 458100
saleseu@lesker.com

Kurt.Lesker (Shanghai) Trading Company
科特·莱思科(上海)商贸有限公司
Asia
+86 21 50115900
saleschina@lesker.com

